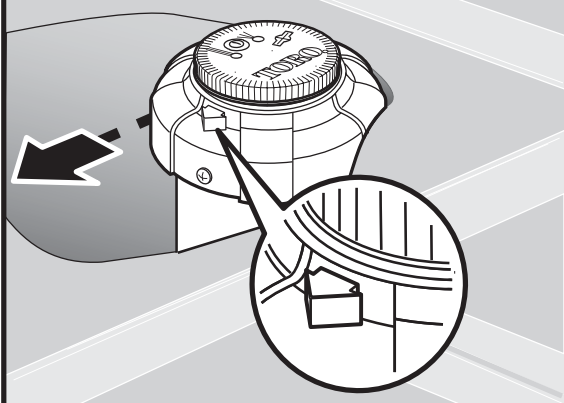


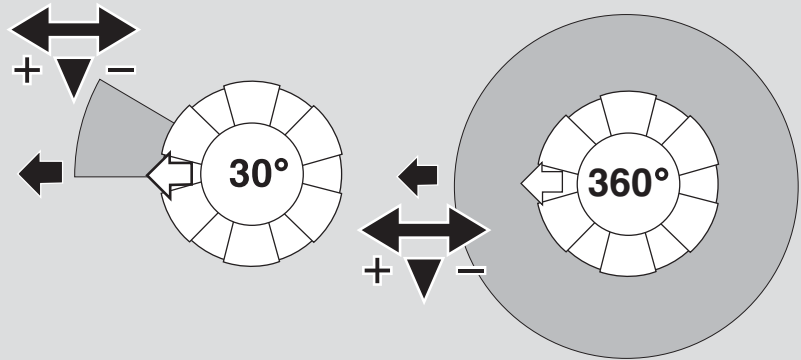


### Watering Arc Adjustment

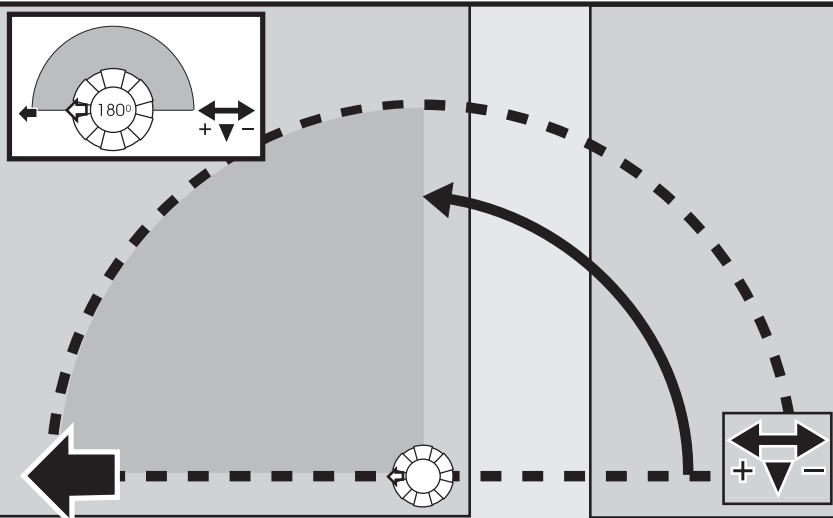
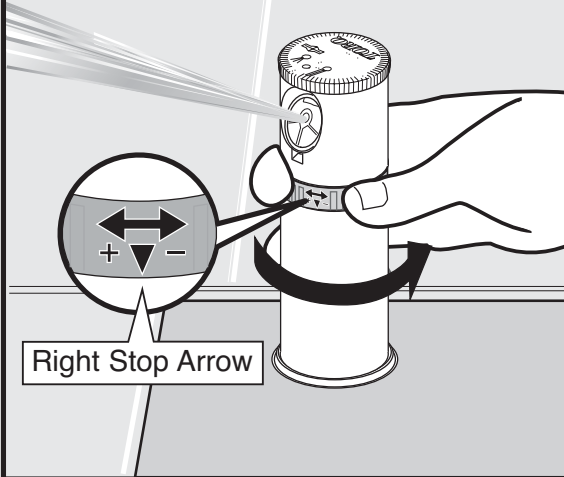
Align the cap arrow with the left side of the watering area. This is the non-adjustable side of the watering arc.



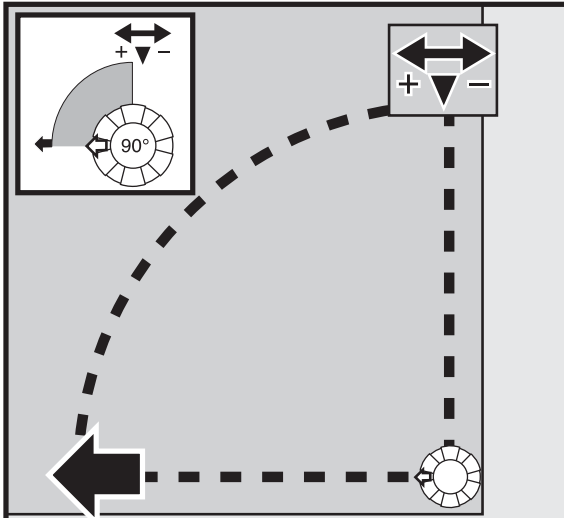
The watering area can be adjusted between 30° and 360°. When set to 360°, the nozzle does not reverse direction.



Turn the arc adjustment ring to align the white arrow to the right side of the watering arc.



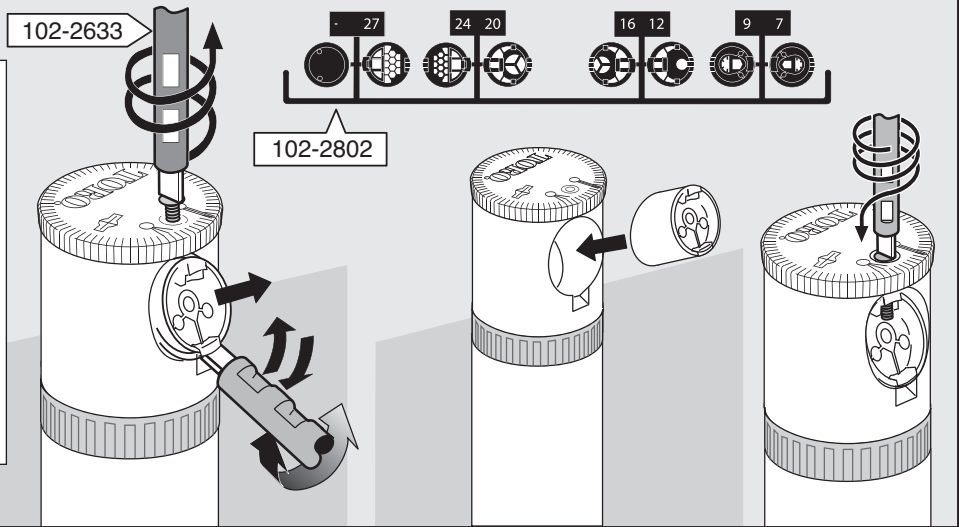
The watering area is between the cap arrow and the right stop arrow on the arc adjustment ring. This example is set to 180°.



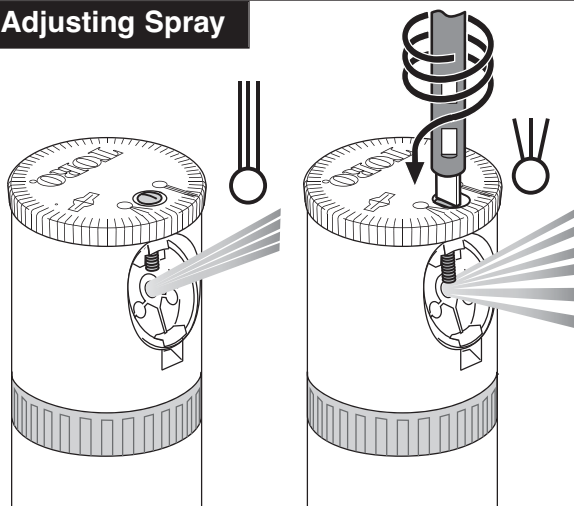
Align the right stop arrow to the right side of the watering arc.

## Changing Nozzle

The TR70P sprinkler comes with eight additional nozzle sizes from 7 to 27 GPM (31.8 to 122.7 LPM). To change the nozzle, use the blade end of the sprinkler tool or a screwdriver to turn the nozzle screw out until it clears the nozzle. Pry the nozzle out at the bottom and install the new nozzle. Return the nozzle screw to its previous position.



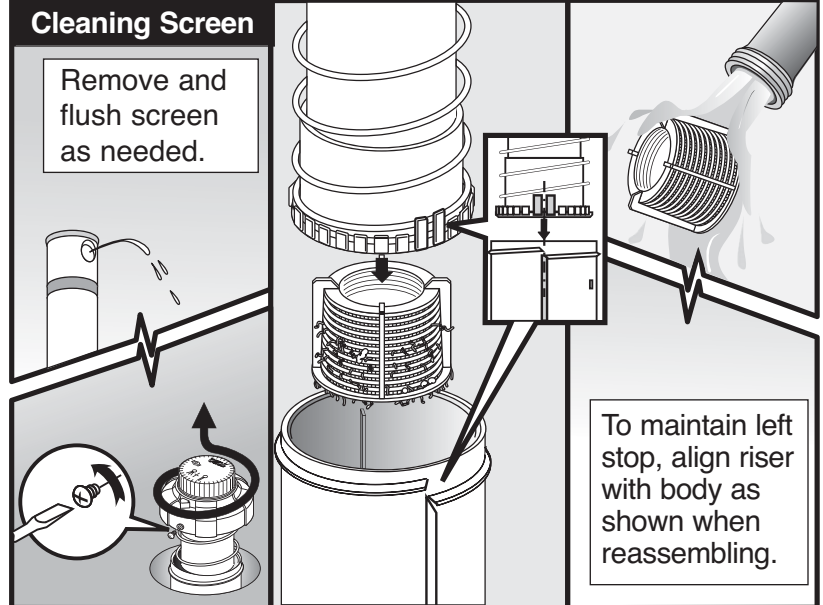
## Adjusting Spray



Turn the nozzle screw in to diffuse and shorten the spray radius.

## Cleaning Screen

Remove and flush screen as needed.



To maintain left stop, align riser with body as shown when reassembling.

## Check Valve

To eliminate check valve function, install the check valve disk in position B.

