



Installation Instructions 2001® Series Sprinkler

Specifications

- **Pressure Range:** 40 – 100 PSI (2.8 – 7.0 kg/cm²) (276 – 689 kPa)
- **Nozzle Performance**
@ **Optimum Pressure:** 60 PSI (4.2 kg/cm²) (414 kPa)

Main Nozzle	Color	Inner Nozzle	Radius in Feet	GPM	Prec. Rate* In./Hr.	Radius in Meters	LPM	Prec. Rate* mm/Hr.
#6	Yellow	Gray	51	7.1	0.23	15.6	26.9	5.8
#9	Orange	Gray	52	10.2	0.31	15.9	38.6	8.0
#12	Brown	Red	53	13.0	0.39	16.2	49.1	9.8
#15	Gray	Red	57	16.1	0.41	17.4	60.9	10.5
#18	Blue	Red	59	18.9	0.45	18.0	71.3	11.4
#24	Green	Red	60	23.3	0.54	18.3	88.2	13.7

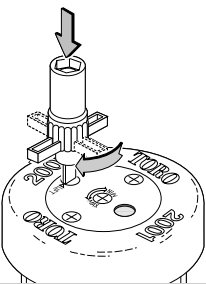
*Precipitation rates are for triangular spacing at 50% of diameter.

- **Nozzle Trajectory:** 25°
- **Arc Range:** 30° – 360°
- **Inlet Thread Size:** 1" female NPT or 25mm female BSP
- **Nozzle Pop-Up Height:** 4" (102mm)
- **Overall Height (Nozzle Retracted):** 8.75" (222mm)

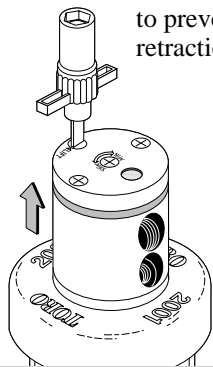
Nozzle Installation

If sprinkler nozzle change is required, refer to the nozzle specifications above to select appropriate nozzle and install as follows:

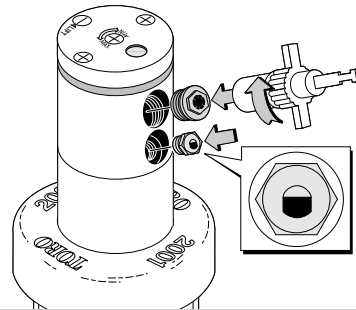
Insert tool blade through top of nozzle turret as shown. Twist 1/4 turn to engage.



Lift riser assembly. Grasp riser firmly below nozzle turret to prevent retraction.



Thread nozzles into turret using socket end of tool. Align lower nozzle as shown.

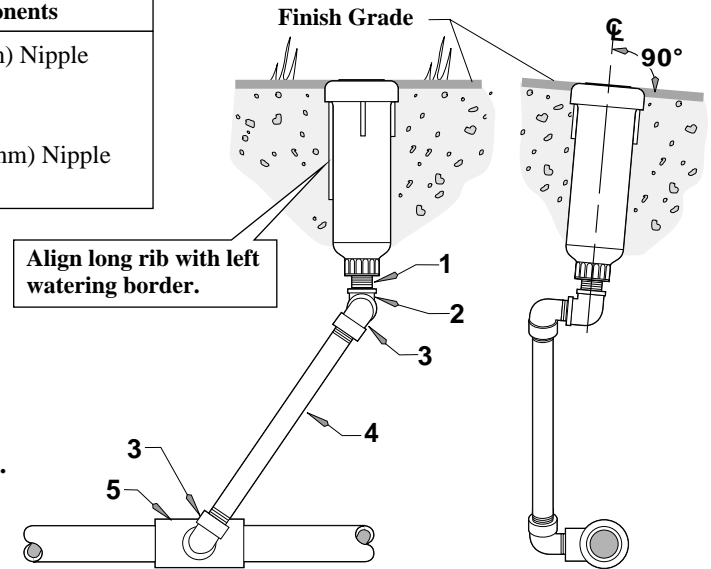


Sprinkler Installation

Install sprinkler to lateral line using a triple swing joint connection as shown. Position top of sprinkler cap flush with finish grade. Tilt sprinkler as required to maintain perpendicular alignment with finish grade. If installing a part-circle sprinkler, tighten sprinkler on swing joint aligning long rib on body with left watering border. **The sprinkler arc is factory preset to 180°.** If arc adjustment is required, see arc adjustment instructions below.

Swing Joint Components

- 1 – 1" x 3" (25mm x 76mm) Nipple
- 2 – 1" (25mm) Ell
- 3 – 1" (25mm) Street Ell
- 4 – 1" x 12" (25mm x 305mm) Nipple
- 5 – Lateral Tee



Caution: Do not use pipe dope on plastic threads – severe damage will result.

Arc Adjustment

Clockwise travel reversing point is adjustable to provide 30° thru 360° of arc. Counterclockwise travel reversing point is non-adjustable (fixed) and is established when the long sprinkler body rib is aligned with the left watering border. As nozzle begins clockwise travel from left border, adjust arc as follows:

Insert tool blade through center of nozzle turret to engage slot. Turn blade **clockwise** to **decrease** arc or **counterclockwise** to **increase** arc. Each "click" is equal to 3° of arc change. Observe new arc path as nozzle sweeps back and forth. Repeat procedure as necessary to fine-tune.

Note: To expedite arc adjustment process, turn nozzle turret by hand in current direction of travel, releasing turret before reversing point.

